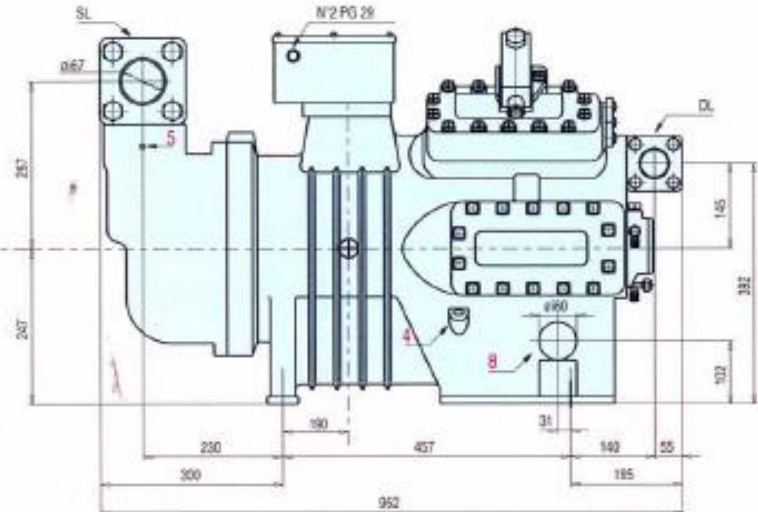
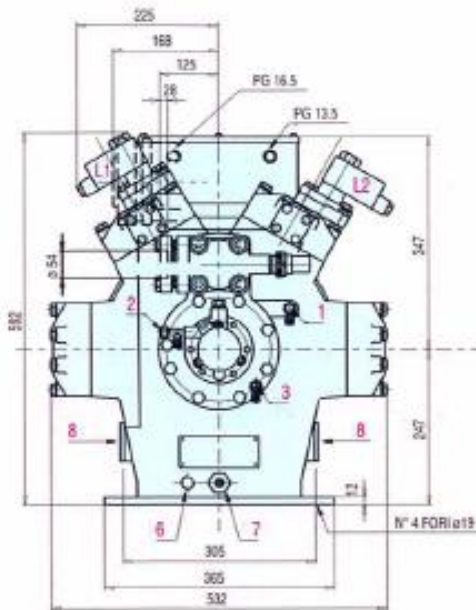


SERIES L SERIE 60-180 kW



TECHNICAL DRAWINGS - DISEGNI TECNICI

RefPower

SRC-L-160**SRC-L-180****Legenda:**

- 1 Alta pressione 1/4" S.A.E - FLARE.
- 2 Alta pressione olio 1/4" S.A.E - FLARE.
- 3 Bassa pressione olio 1/4" S.A.E - FLARE.
- 4 Carica olio 3/8" NPT.
- 5 Bassa pressione 1/8" NPT. (Tappo)
- 6 Resistenza carter.
- 7 Scarico olio 1/4" NPT.
- 8 Spia livello olio

Zeichenerklärung:

- 1 Hochdruck 1/4" S.A.E - FLARE.
- 2 Öl-Hochdruck 1/4" S.A.E - FLARE.
- 3 Öl-Niederdruck 1/4" S.A.E - FLARE.
- 4 Ölfüllstopfen 3/8" NPT.
- 5 Niederdruck 1/8" NPT.
- 6 Öl-Heizung 1/2" NPT.
- 7 Ölabblass 1/4" NPT.
- 8 Öl-Schauglas

Legenda:

- 1 Toma presión descarga 1/4" S.A.E - FLARE.
- 2 Toma salida bomba 1/4" S.A.E - FLARE.
- 3 Toma entra da bomba 1/4" S.A.E - FLARE.
- 4 Carga de aceite 1/4 S.A.E. - FLARE.
- 5 Baja presión (Tapon).
- 6 Calentador aceite 1/2" NPT.
- 7 Tapón vaciado aceite 1/4" NPT.
- 8 Visor nivel aceite.

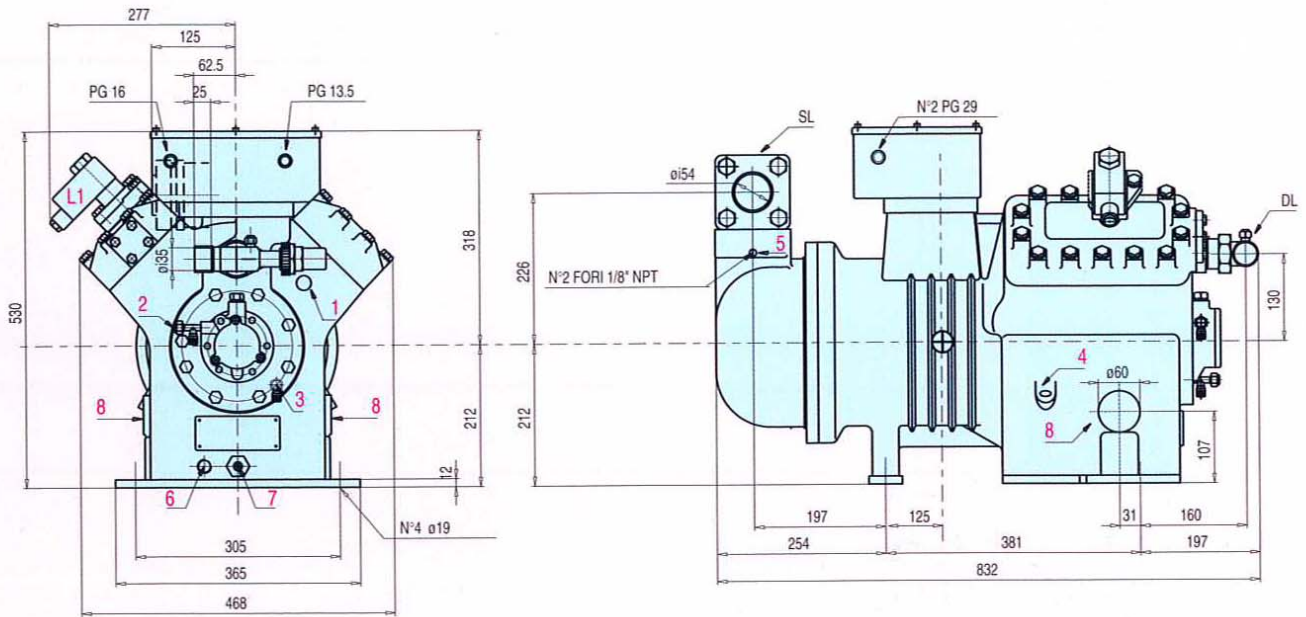
Key:

- 1 High pressure 1/4" S.A.E - FLARE.
- 2 Oil high pressure 1/4" S.A.E - FLARE.
- 3 Oil low pressure 1/4" S.A.E - FLARE.
- 4 Oil charging 3/8" NPT.
- 5 Low pressure 1/8" NPT. (Plug)
- 6 Crankcase heater 1/2" NPT.
- 7 Oil drain 1/4" NPT.
- 8 Oil level sight glass

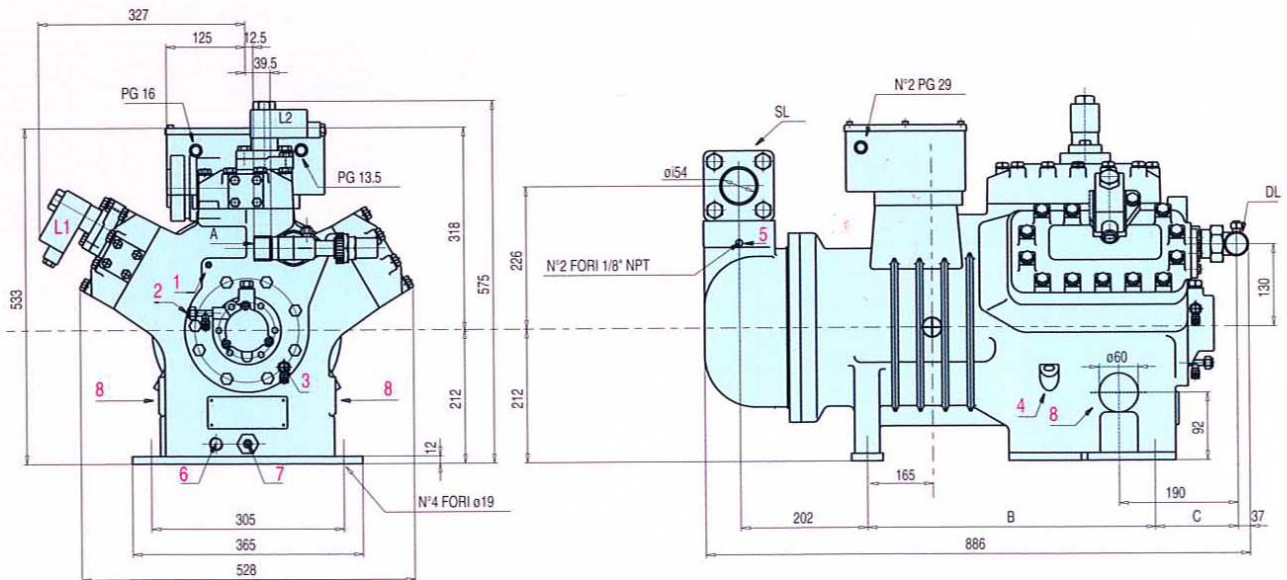
Legende:

- 1 Haute pression 1/4" S.A.E - FLARE.
- 2 Haute pression huile 1/4" S.A.E - FLARE.
- 3 Basse pression huile 1/4" S.A.E - FLARE.
- 4 Bouchon remplissage d'huile 3/8" NPT.
- 5 Basse pression 1/8" NPT. (Bouchon)
- 6 Resistance de carter 1/2" NPT.
- 7 Vidange d'huile 1/4" NPT.
- 8 Viseur de niveau d'huile

SRC-L-60 SRC-L-75 SRC-L-85



SRC-L-105 SRC-L-120 SRC-L-130



| | A | B | C |
|-----------|----|-----|-----|
| SRC-L-105 | 35 | 381 | 209 |
| SRC-L-120 | 35 | 381 | 209 |
| SRC-L-130 | 42 | 457 | 133 |